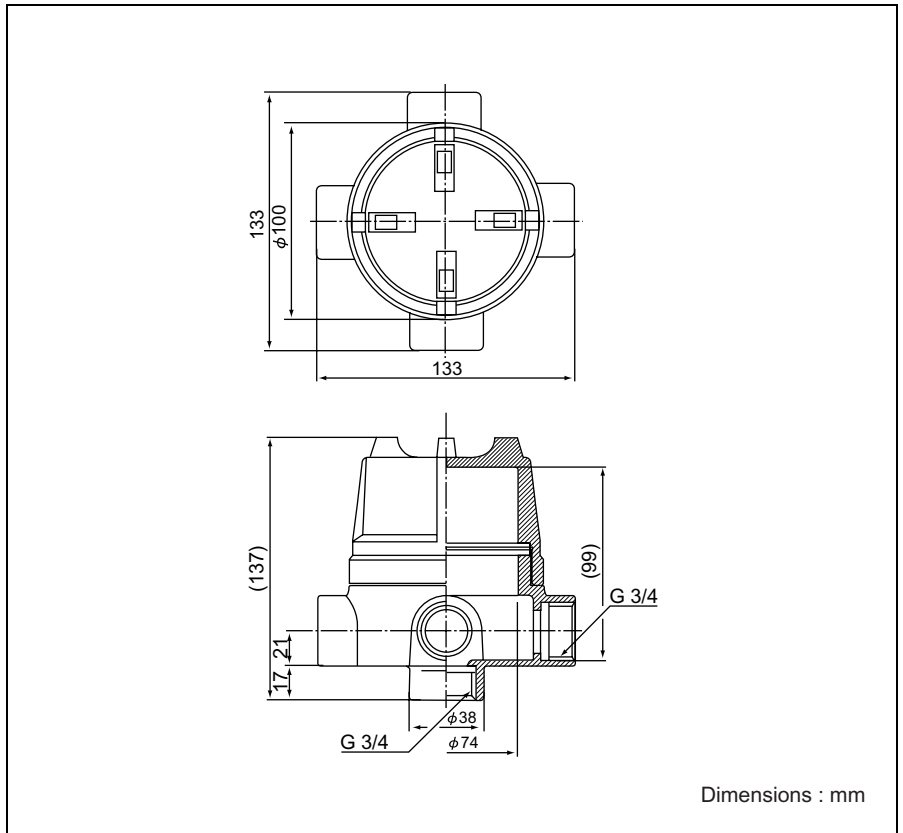


Accessories

VZ-5A Sensor Housing

The VZ-5A Sensor Housing is used to mount the VK-A Series VL Sensor in the machine case with the VZ-10A Sensor Sleeve and the VZ-7A Adapter.



VZ-7A Adapter

The VZ-7A Adapter is used to mount the VK-A Series VL Sensor in the machine case with the VZ-10A Sensor Sleeve and the VZ-5A Sensor Housing.

