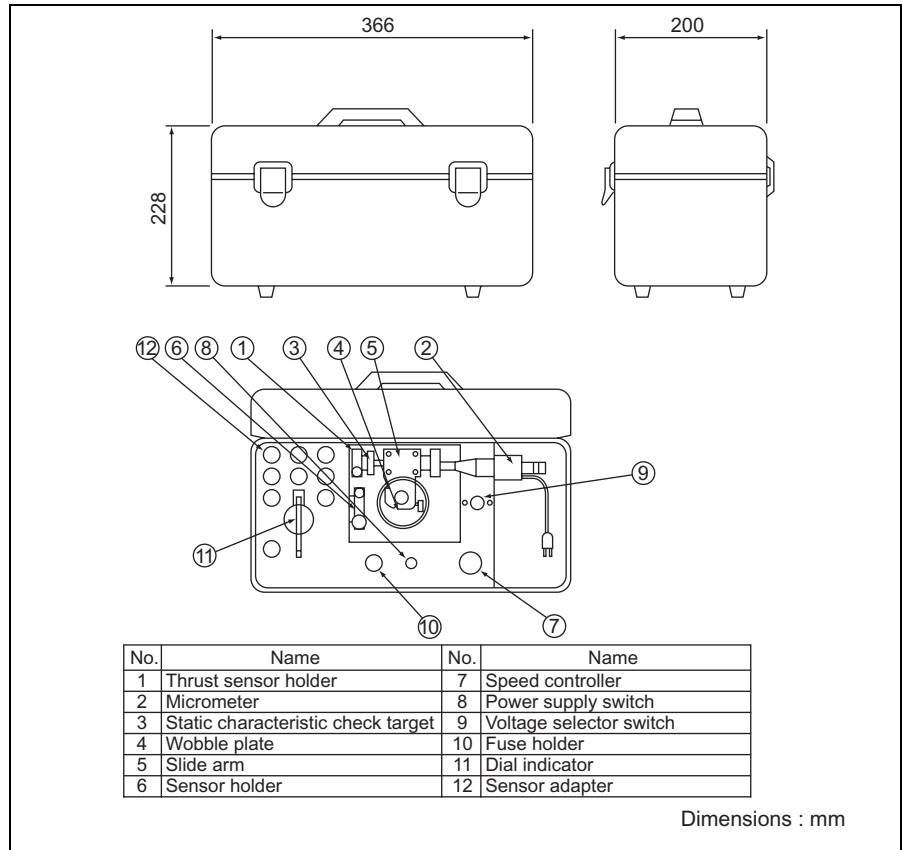


VZ-35A Calibration Kit

The Model VZ-35A Calibration Kit is a calibration device that provides mechanical reference vibration and displacement inputs to the monitoring system.



VZ-30A Displacement Converter Calibration Board

This tool is convenient for calibration when the target currently used for the VC Series Displacement Vibration Transducer is changed.

