

CMS270 Series Signal Conditioner Micro Strain 4-20mA Output

Protecting ...

Monitoring solution for all fluid film bearings.

Key Features Signal Conditioner

- Micro Strain Output ($\mu\epsilon$)
- VSS2001 Input
- 5 Selectable Ranges
- 4-20mA Output
- Two Buffered Outputs
- Class 1 Division 2, Groups B-D

Key Features Relay

- OK, Alert and Danger Alarms
- 5A@250VAC Relay Output
- Latching or Non-Latching Alarms
- Trip Multiply (2x or 3x)
- Selectable Time Delay



Technical Performance			
Input	VSS2001 Micro Strain Sensor	Selectable Range	0 to 10.0 $\mu\epsilon$ *
	IEPE Powered		0 to 20.0 $\mu\epsilon$
Frequency Range	1 to 20,000 Hz @-3db*		0 to 30.0 $\mu\epsilon$
Signal Detection	Peak or RMS*		0 to 40.0 $\mu\epsilon$
Output	4-20mA DC Proportional to micro strain		0 to 50.0 $\mu\epsilon$
	600 Ω Maximum resistive load	Buffered Output	Active Buffer , BNC and Terminal
Accuracy	1% Full Scale	Optional Filters	Optional Pluggable High Pass and Low Pass (additional charge applies)
Electrical			
Power	+24VDC 50mA Nominal (100mA w/Relay)	OK Circuit	Green LED (On=Okay)
	Reverse Polarity and Transient Protected		Not OK = Off and 4-20mA < 2.0 mA
Sensor Power	Internal 4.4 mA Constant Current Diode	Case	Isolated
Certifications	CE, RoHS, CSA & UL Approved Class I Division II B-D	Timed OK Danger Defeat	30 Sec. on Power Up or Loss of OK
Terminals	Screw Type, 24 AWG min, 12 AWG max		
Environmental Specifications		Mechanical Specifications	
Operating Temp.	Operating Temp.	Mounting	32mm (G Style) or 35mm (T Style) Din Rail
Storage Temp.	-40 C to +95 C (-40 F to +203 F)	Dimensions	0.99 x 3.11 x 3.81 inch (W, H, D)
Relative Humidity	0 - 95% Non-Condensing		25.27 x 78.99 x 96.67 mm (W, H, D)
		Weight	0.21 lbs (95 g)

*Factory default setting, field configurable



SHINKAWA

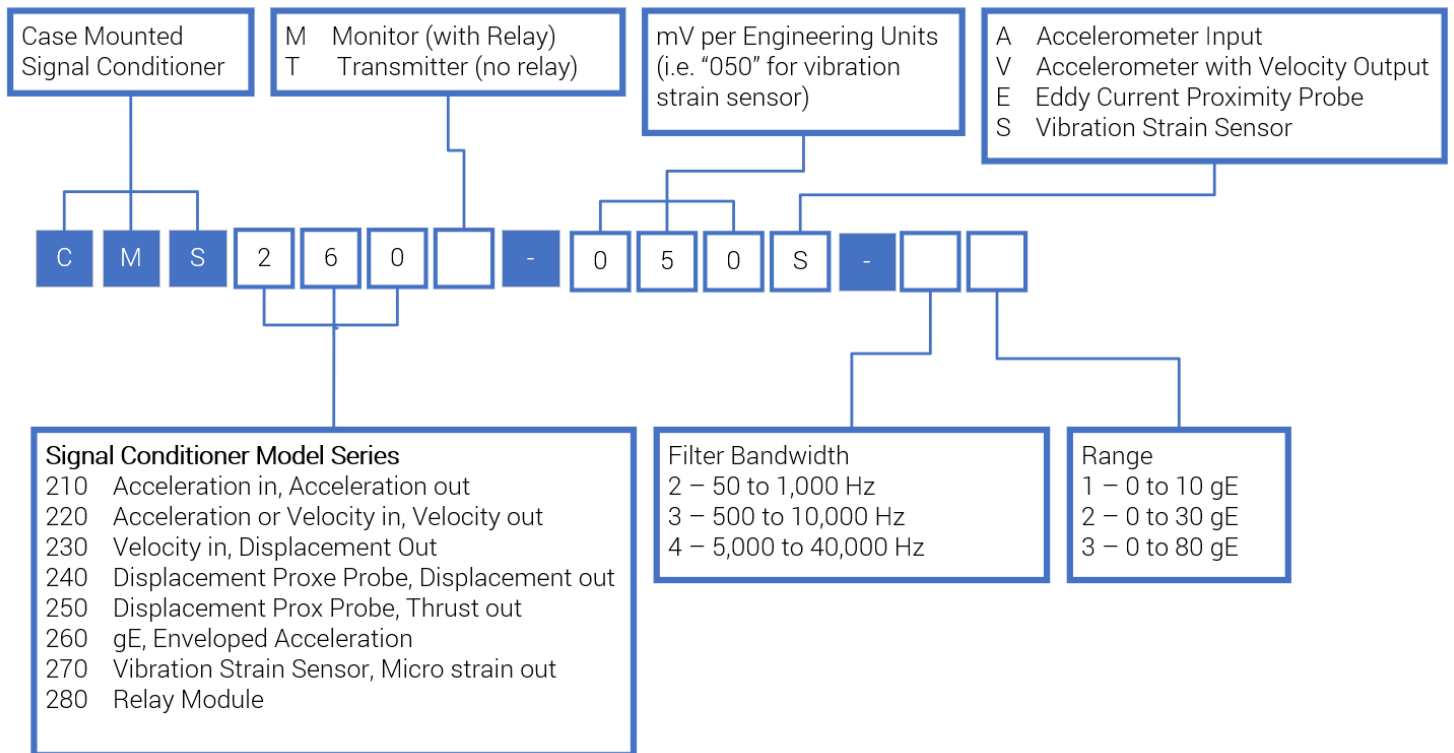
SEC of America
807 E Main St.
Durham, NC 27701
Ph: (919)
sales@sec-america.com
www.sec-america.com



CMS270 Series Signal Conditioner Micro Strain 4-20mA Output

Optional Relay Module	
Relay Number	3 - OK, Alert, Danger
Alarm Indication	OK = Green LED, Alert = Yellow LED, Danger = Red LED
Relay Specification	3 - Form C, SPDT, 5 Amp 30 VDC/250 VAC, Latching and Non-Latching
Alarm Time Delay	Separately Selectable 0.1, 1.0, 3.0, 6.0, 10.0 Seconds
Trip Multiply Function	Terminal for None, 2x or 3x Alarm Limit Trip Multiply
Reset Function	Terminal for Remote Reset if Latching Alarms Selected
By Pass Function	Hold Reset to Common
Display Output	0-5 VDC Switch Selectable Current Value, Alert and Danger Set Point
Dimensions & Weight	1.67 x 3.11 x 3.81 inches (W H D); 0.40 lbs 42.3 x 78.99 x 99.67 mm (W H D); 180 g

How to order:

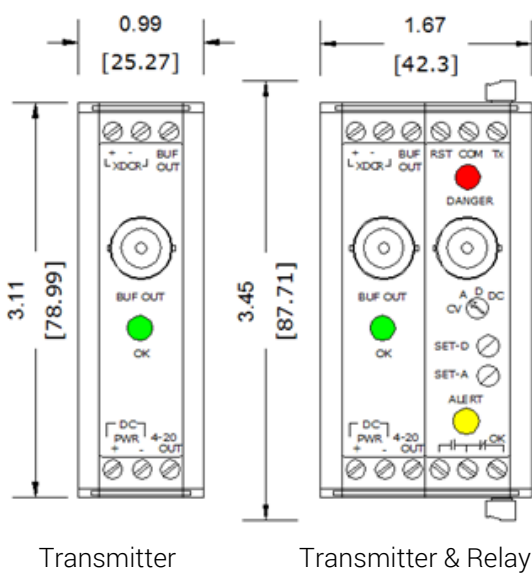


SHINKAWA

SEC of America
807 E Main St.
Durham, NC 27701
Ph: (919)
sales@sec-america.com
www.sec-america.com



CMS270 Series Signal Conditioner Micro Strain 4-20mA Output



SHINKAWA

SEC of America
807 E Main St.
Durham, NC 27701
Ph: (919)
sales@sec-america.com
www.sec-america.com

