

CM-G General Purpose Triaxial Accelerometer

Accelerometer General Purpose, Industrial, Ceramic Shear IEPE Side Exit Triax

Features

Our line of low cost accelerometers with AC voltage output is designed for use with all types of data collectors, online analysis systems and TSI.

Protecting

Fans, Motors, Pumps, Compressors, Centrifuges, Conveyors, Air Handlers, Gearboxes, Rolls, Dryers, Presses, Cooling, HVAC, Spindles, Machine Tooling, Process Equipment and many more.



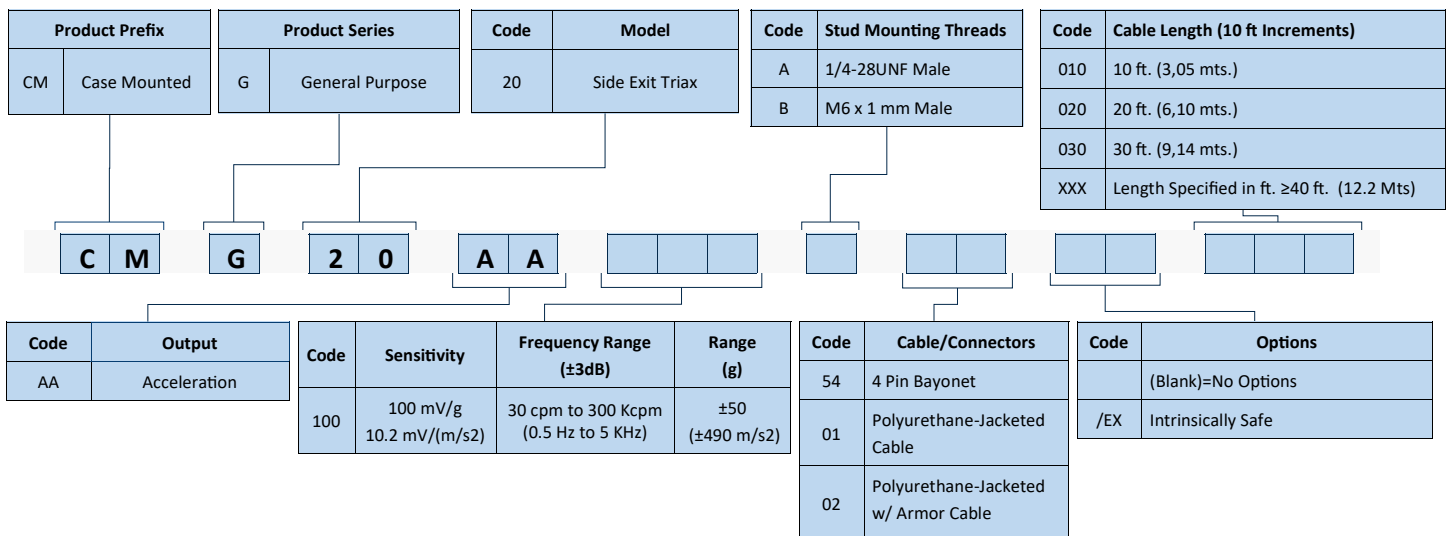
Technical Performance		Mechanical Performance	
Mounted Base Resonance:	600 Kcpm (10 KHz)	Case Material:	304 Stainless Steel
Measurement Range	See: "How To Order" Table ±20%	Sensing Element/Construction:	Ceramic Shear
Frequency Range (±3 dB) :	See: "How To Order" Table	Mounting Torque:	2 to 5 ft-lb (2.7 to 6.8 Nm)
Non-Linearity:	± 1%	Weight:	4.4 oz (124 gm)
Broadband Resolution (1 to 10 kHz):	350 µg (3434 µm/sec ²)	Mounting Threads:	See: "How To Order" Table
Transverse Sensitivity	≤5 %		
Electrical		Environmental	
Excitation Voltage:	18 to 28 VDC	Overload Limit (Shock)	5000 g pk (49050 m/s ² pk)
Constant Current Excitation	2 to 20 mA	Temperature Range	-65 to +250 °F (-54 to +121 °C)
Settling Time (within 1% of bias)	≤2.0 sec	Temperature Response	See Graph %/°F
Electrical Isolation (Case):	>10 ⁸ Ohm	Enclosure Rating	IP68
Spectral Noise (10 Hz) :	8.0 µg/√Hz (78.5 (µm/sec ²)/√Hz)		

Wiring	X - Axis	X - Axis	X - Axis	Ground
4 Pin Bayonet	Pin A	Pin B	Pin C	Pin D
Integral Cable	Red	Black	White	Green

Vibration sensor should be firmly fixed to a flat surface (spot face surface may be needed to be produced and cable anchored to sensor body.)



How To Order



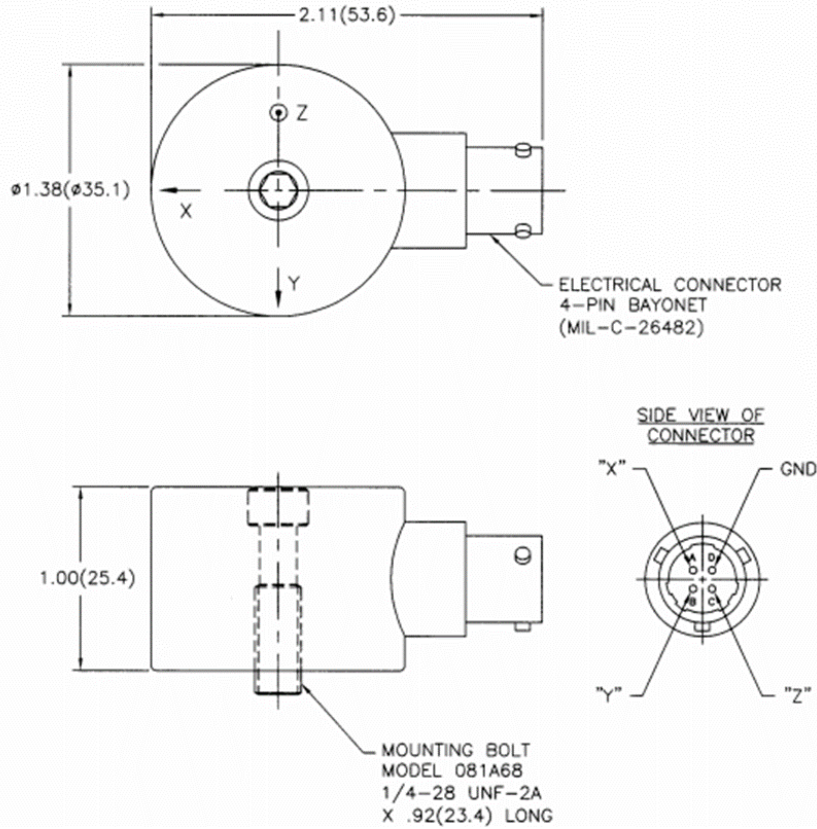
SEC of America
 807 E Main St. Durham, NC 27701.
 Ph: (919) 533-4920
 sales@sec-america.com
 www.sec-america.com



CM-G General Purpose Triaxial Accelerometer

Accelerometer General Purpose, Industrial, Ceramic Shear IEPE Side Exit Triax With Connector

OUTLINE DRAWING MODEL CM-G20 ACCELEROMETER



Option: EX , Hazardous Area Approval

Temperature Response Graph % / °F

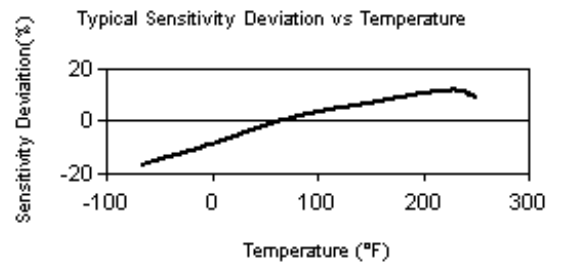
CS:A Canadian Standards Association Approved Intrinsically Safe. (Canada Only)

Division 1; Class I; Group C/ D; Temperature Code T4

ATEX

IECEX

All specifications are at room temperature unless otherwise specified.



Product Notes:

- [1] Conversion Factor 1g = 9.81 m/s².
- [2] Typical.
- [3] Zero-based, least-squares, straight line method.
- [4] The high frequency tolerance is accurate within ±10% of the specified frequency.
- [5] 1/4-28 has no equivalent in S.I. units.



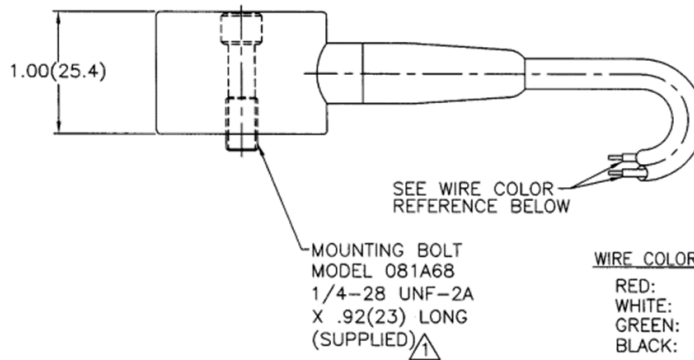
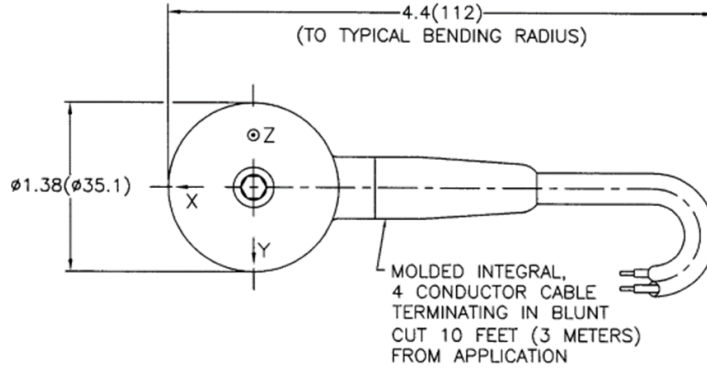
SEC of America
807 E Main St. Durham, NC 27701.
Ph: (919) 533-4920
sales@sec-america.com
www.sec-america.com



CM-G General Purpose Triaxial Accelerometer

Accelerometer General Purpose, Industrial, Ceramic Shear IEPE Side Exit Triax With Integral Polyurethane

OUTLINE DRAWING MODEL CM-G20 ACCELEROMETER



WIRE COLOR REFERENCE

- RED: "X" AXIS
- WHITE: "Z" AXIS
- GREEN: "Y" AXIS
- BLACK: GND

Option: EX , Hazardous Area Approval

Temperature Response Graph % / °F

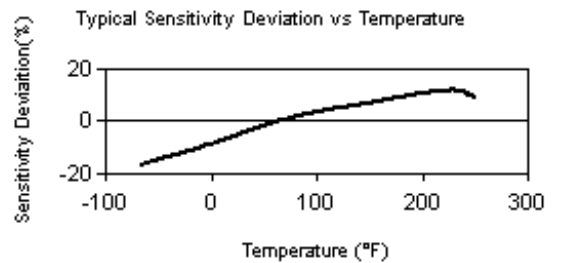
CS:A Canadian Standards Association Approved Intrinsically Safe. (Canada Only)

Division 1; Class I; Group C/ D; Temperature Code T4

ATEX

IECEX

All specifications are at room temperature unless otherwise specified.



Product Notes:

- [1] Conversion Factor 1g = 9.81 m/s².
- [2] Typical.
- [3] Zero-based, least-squares, straight line method.
- [4] The high frequency tolerance is accurate within ±10% of the specified frequency.
- [5] 1/4-28 has no equivalent in S.I. units.



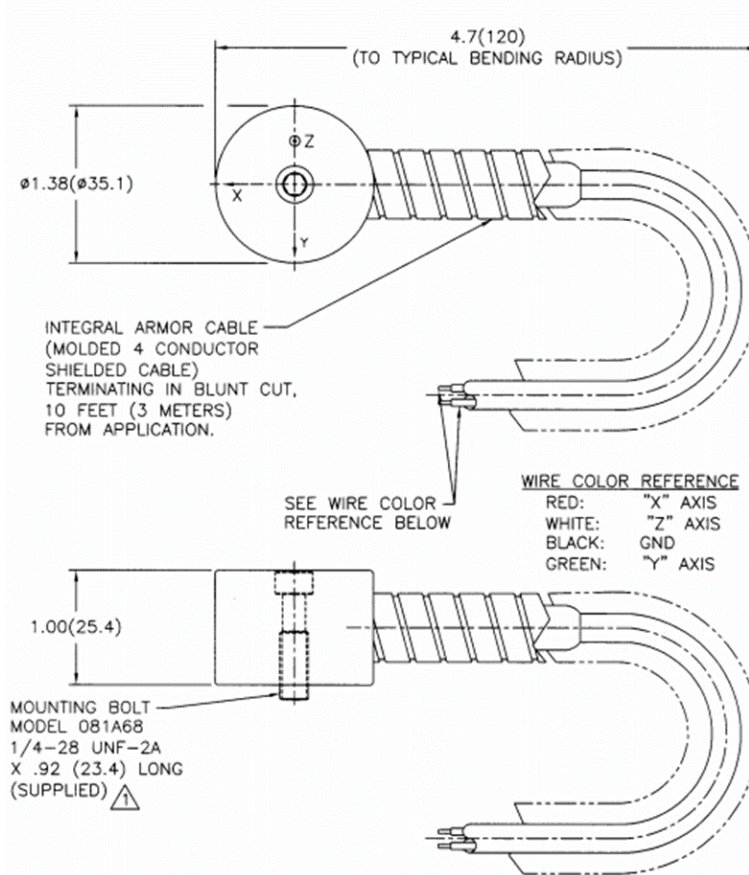
SEC of America
807 E Main St. Durham, NC 27701.
Ph: (919) 533-4920
sales@sec-america.com
www.sec-america.com



CM-G General Purpose Triaxial Accelerometer

Accelerometer General Purpose, Industrial, Ceramic Shear IEPE Side Exit Triax With Integral Armored Cable

OUTLINE DRAWING MODEL CM-G20 ACCELEROMETER



Option: EX , Hazardous Area Approval

Temperature Response Graph % / °F

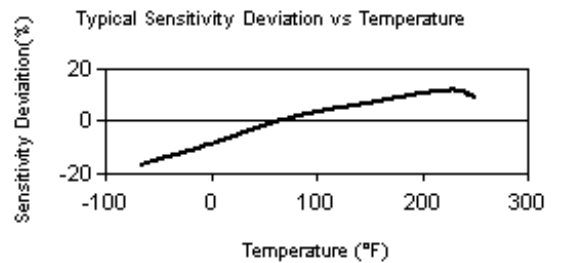
CS:A Canadian Standards Association Approved Intrinsically Safe. (Canada Only)

Division 1; Class I; Group C/ D; Temperature Code T4

ATEX

IECEX

All specifications are at room temperature unless otherwise specified.



Product Notes:

- [1] Conversion Factor 1g = 9.81 m/s².
- [2] Typical.
- [3] Zero-based, least-squares, straight line method.
- [4] The high frequency tolerance is accurate within ±10% of the specified frequency.
- [5] 1/4-28 has no equivalent in S.I. units.
- [6] Twisted shielded 4-conductor cable.



SEC of America
807 E Main St. Durham, NC 27701.
Ph: (919) 533-4920
sales@sec-america.com
www.sec-america.com

